

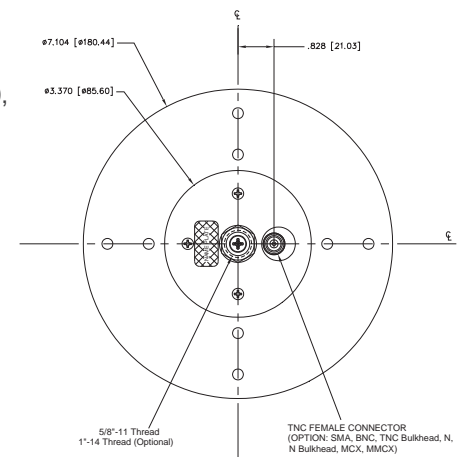
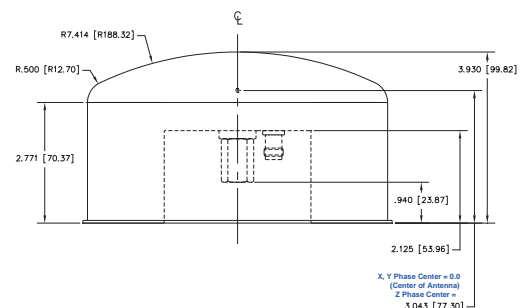
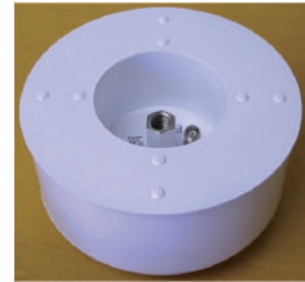
TECHNICAL SPECIFICATIONS

FREQUENCY

- OmniSTAR (L - Band)
- GPS L1/L2/L5
- GLONASS L1/L2
- Galileo E1/E2/E5/E5a/E5b
- Beidou B1/B2 /B3

SPECIFICATIONS

- **NGS Type:** ACC_G5ANT_72AT1
- **LNA Gain:** 35dB
- **LNA DC Voltage Input:** 2.5 to 24 VDC
- **Interference suppression:** Multi-Path rejection board inside.
- **Connector:** TNC Female
- **Material:** 6061-T6 ALUMINUM ALLOY BASE
COMPOSITE RADOME, IMPACT, ABRASION, UV,
SOLVENT, SKYDROL RESISTANCE
- **Mounting:** Standard Land Survey 5/8" Tripod Thread Connector
- **Temperature Range:** -55°C to +85°C
- **Certification:** FFA TSO-C144, DO-160D, D0-228, MIL-C-5541, MIL-E-5400,
MIL-I-45208A, MIL-STD-810, AND SAE J1455



DIMENSION

- **Diameter:** 7.10 inches/18.044 cm
- **Height:** 3.93 inches/9.982 cm
- **Weight:** 1.82lbs/0.825kg



STONEX AUTHORIZED DEALER

STONEX® EUROPE srl

Via Cimabue 39 - 20851 Lissone (MB) Italy
 Phone +39 039 2783008 Fax +39 039 2789576
 www.stonexpositioning.com
 info@stonexpositioning.com