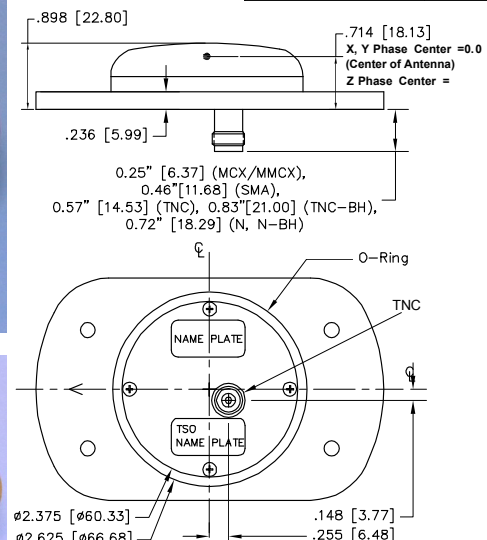
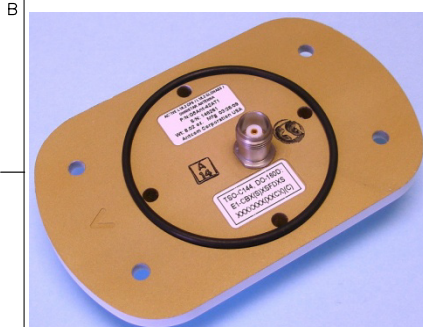
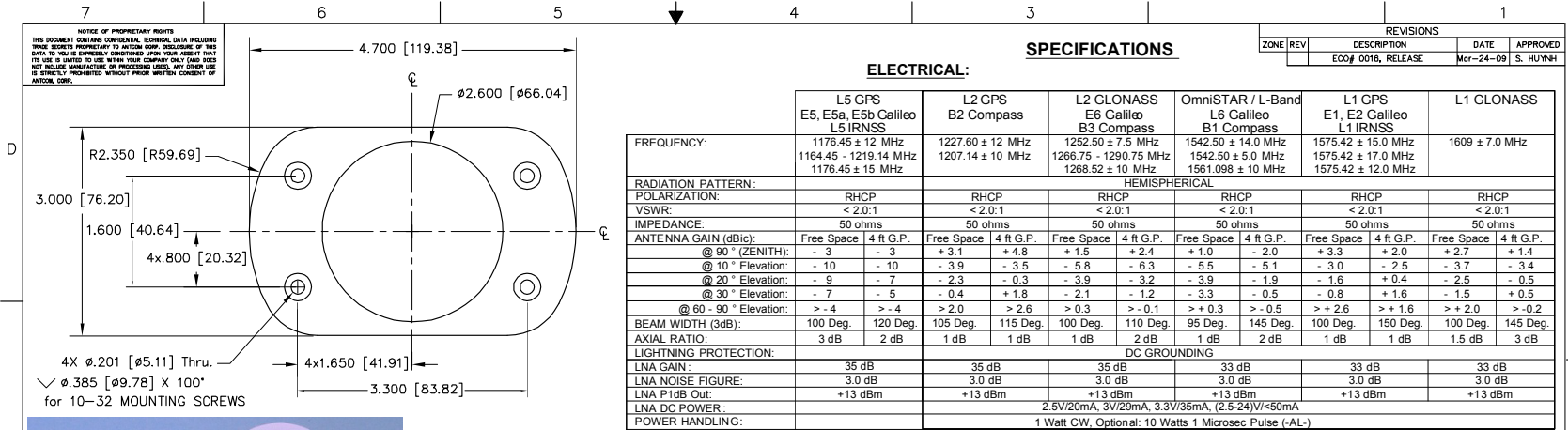




Antcom's **G5 Antenna**, Active **L1/L2 Glonass + L1/L2 GPS + OmniStar** Antenna, P/N: G5Ant-42AT1 **Avionics Arinc 743 Configuration** **(with Filters, better RTK Performance, Optimized for L1/L2 Glonass & L1/L2 GPS & OmniStar)**



ANTCOM CORPORATION . 367 Van Ness Way, Suite 602 . Torrance, CA 90501 . Tel: (310) 782-1076 . Fax: (310) 782-1086 . E-mail: antennas@antcom.com . http://www.antcom.com



FEDERAL & MILITARY SPECIFICATIONS

DESIGN TO: FAA TSO-C144, DO-160D, DO-228, MIL-C-5541, MIL-E-5400, MIL-I-45208A, MIL-STD-810 AND SAE J1455

ACCEPTANCE TEST PROCEDURE ATP-GPS-L1L2-100

2. MOUNTING SCREWS & ADHESIVE GASKET ARE SUPPLIED BY ANTCOM
1. DIMENSIONS IN BRACKETS ARE IN MILLIMETERS [mm]
NOTES: UNLESS OTHERWISE SPECIFIED:

P/N: G5Ant-42AT1

CABLE'S LENGTH	CONNECTOR	COLOR
X: NO CABLE	S: SMA; B: BNC	-1: GLOSSWHITE#17925PER FED-STD-595B
	M: MCX; MM: MMCX	-2: LUSTERLESSGRAY#36320PER FED-STD-595B
	N: N, NB; N-Bulkhead	-3: OLIVE DRABGREEN#34094PER FED-STD-595B
	T: TNC, TB; TNC-Bulkhead	-4: LUSTERLESSBLACK#37038PER FED-STD-595B

QUANTITY REQD	DESCRIPTION	PART NO	FINISH	ITEM NO
4	Mounting Screw: 10-32, 1"	MS24693C276		5
1	O-Ring or Gasket	2-142/N756-75		4
				3
				2
				1

ANTCOM CORP.

743 ARINC, ACTIVE
L1L2Glonass/L1L2GPS/OmniStar
G5 ANTENNA

D13CVE1 G5Ant-42AT1

SCALE 1/1 SHEET 1 OF 1